

Carrollton® Self-Rimming Lavatory

FEATURES

- 24-1/4" x 18-1/8"
- Rear overflow
- Vitreous china
- ADA compliant
- Complete with installation template

MODELS

- LT771
Lavatory with single hole faucet center
- LT771.4
Lavatory with 4" faucet centers
- LT771.8
Lavatory with 8" faucet centers



COLORS/FINISHES

- #01 Cotton
- #03 Bone
- #11 Colonial White
- #12 Sedona Beige
- #51 Ebony

CODES/STANDARDS

- Meets and exceeds ASME A112.19.2/CSA B45.1
- Certifications: IAPMO(cUPC), State of Massachusetts, City of Los Angeles, and others
- ADA compliant
- Code compliance: UPC, IPC, NSPC, NPC Canada, and others



PRODUCT SPECIFICATION

The self-rimming lavatory shall be made of vitreous china. Lavatory shall be 24-1/4" in length and 18-1/8" in width. Product shall be with overflow and lavatory shall include mounting assembly and be ADA compliant. Lavatory shall be TOTO Model LT771_____.

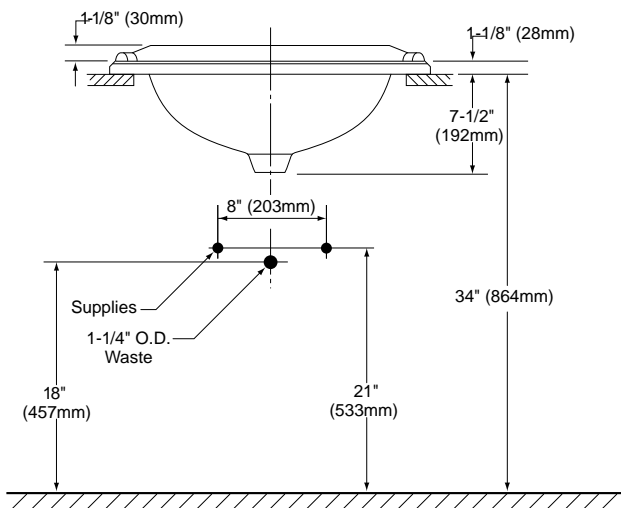
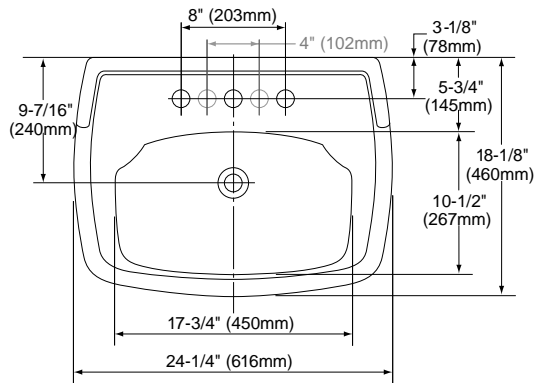
LT771

Carrollton® Self-Rimming Lavatory

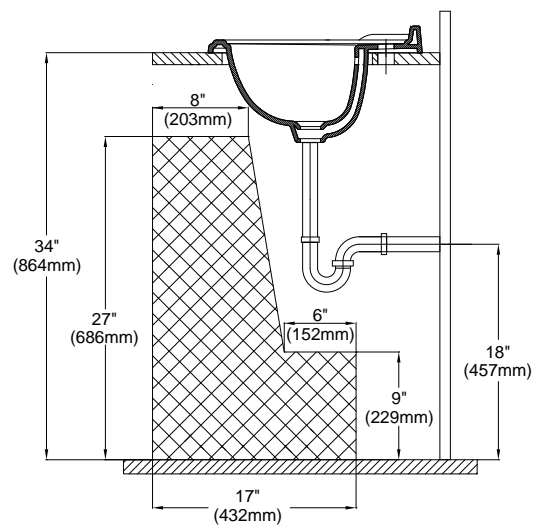
SPECIFICATIONS

- Waste 1-1/4" O.D.
- Size 24-1/4"W x 18-1/8" D
- Basin 17-3/4"W x 10-1/2" D
- Warranty One Year Limited Warranty
- Material Vitreous china
- Shipping Weight 26 lbs.
- Shipping Dimensions 24-3/4"W x 19-1/2" D x 10-1/4"H

INSTALLATION NOTES



ADA Compliance Check



TOTO®

These dimensions and specifications are subject to change without notice